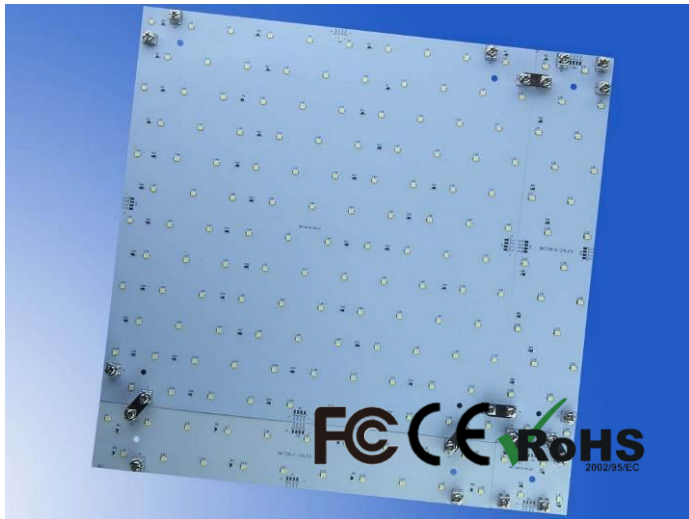


Description: RX-BKT28 Series Non waterproof LED module , With top SMD2835, High luminous efficiency 100Lm / W; high brightness, low prices. 4 sizes of interlocking and connectable panels allows for variety of designs to be configured. Mainly used for light boxes backlight, large-scale projects, shopping malls, railway stations, airports and other high-end places lighting, Ideal backlight-light source, also be used for home decorative lighting, Do your own energy-saving lighting project.



CRI >85
Luminous efficiency
 100Lm/W DC12V

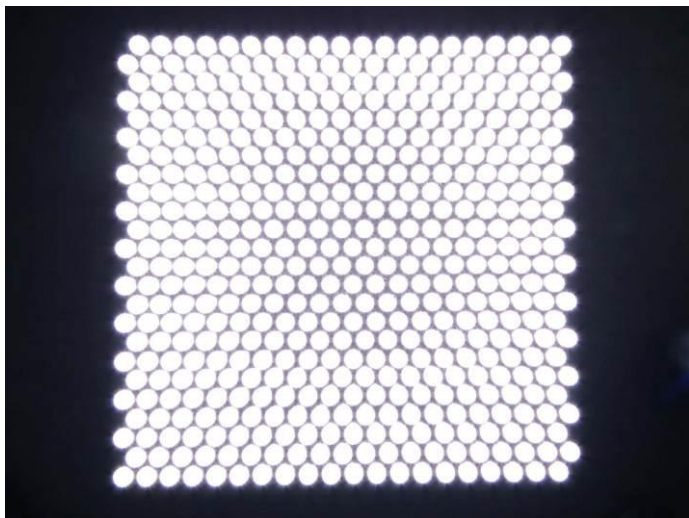
Dimension
 4 sizes of interlocking
 and connectable

High brightness
 25000Lm / m²

New design
LED arrangement
 spacing 30.4mm

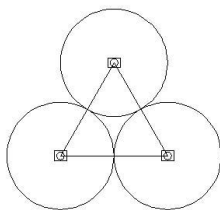
LED to face distance
 > 38mm/1.5"

Stitching Size 2m²
 No additional
 connection wires

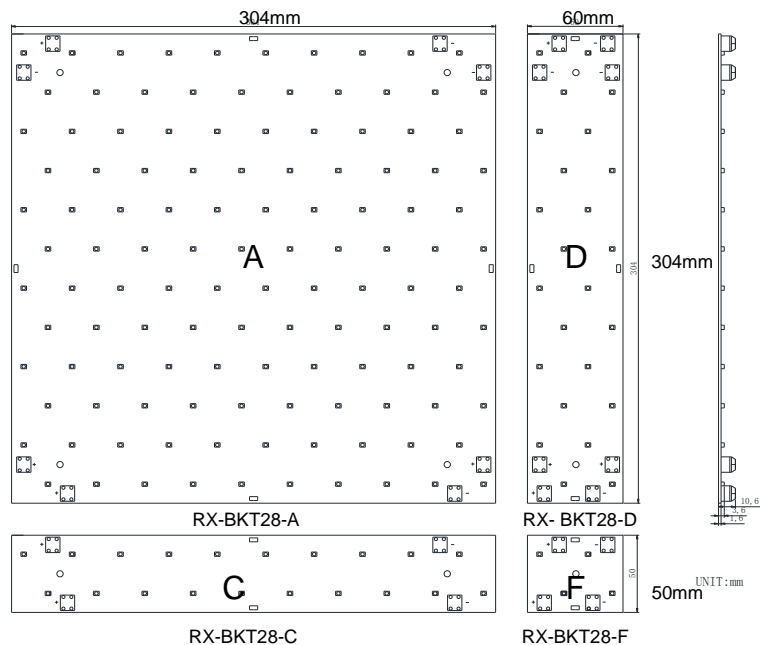
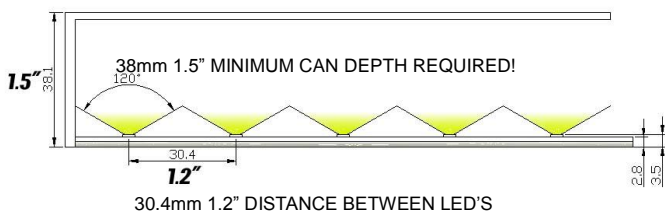


Application specs	
Brightness	20Lm / LED
Default Colors	CW6000~6500K
Other colors	WW2700~3200K NW4200~4700K
CRI	> 85
Application Environment	Dry Locations
Operating Temperature	-22°F~122°F (-30~50°C)
Electrical specs	
Power	0.2W / LED
Input	DC 12V or DC 24V
Warranty	3 years
Certification	CE RoHS FCC

Dimension



New design Balanced Light Distribution
 NO HOT SPOTS!



Data sheet

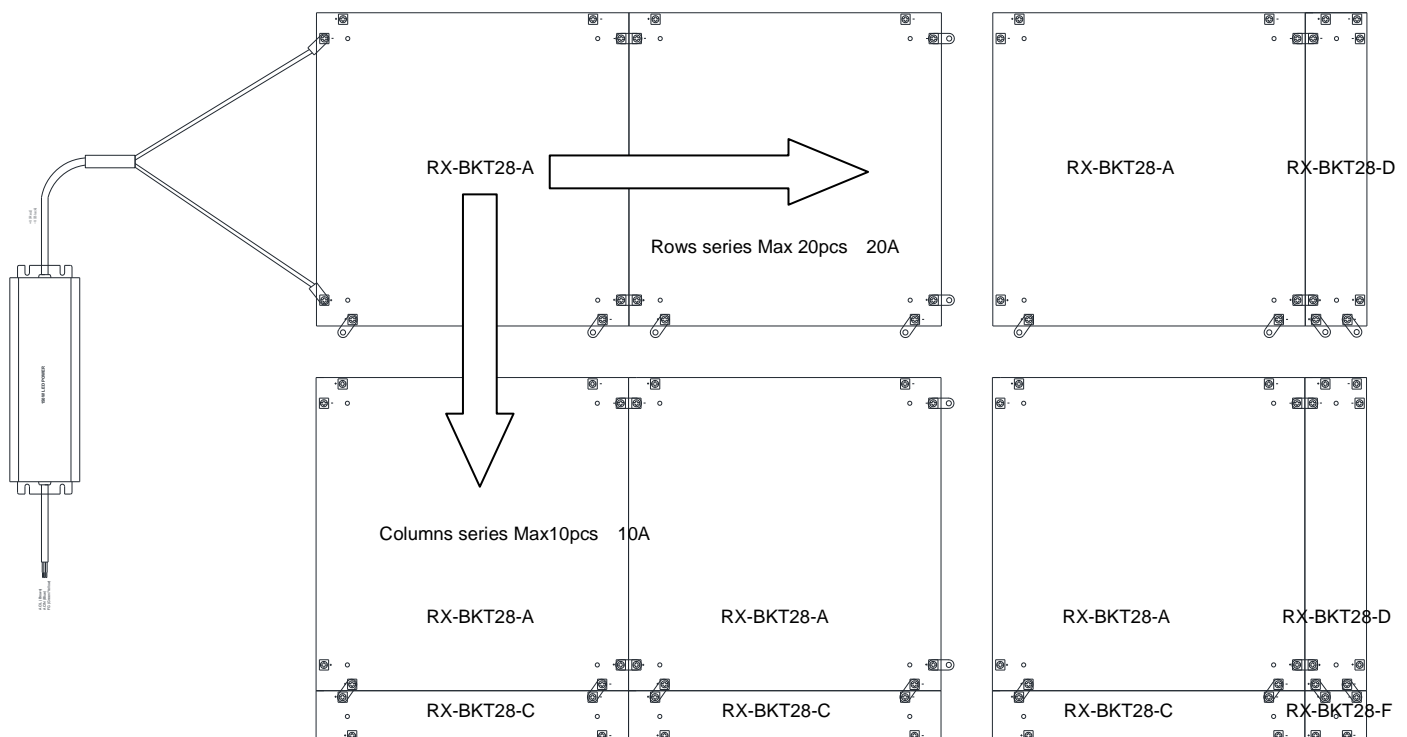
MODEL	Dimension LED QTY	Lumen	Power DC Input	Stitching Size No additional connection wires	LED spacing Brightness/ m ²	Comment
RX-BKT28-A-24V	304x304mm 120LED	2400Lm	24W 24V	20pcs 2m ²	30.4mm Min. Cabinet Depth* 38mm 250W / m ² 25000Lm / m ²	High brightness light source Temperature rise +25 °C
RX-BKT28-D-24V	60x304mm 24LED	480Lm	4.8W 24V	24pcs 0.2m ²		
RX-BKT28-C-24V	304x50mm 20LED	400Lm	4.2W 24V	24pcs 0.2m ²		
RX-BKT28-F-24V	60x50mm 4LED	80Lm	1.2W 24V	24pcs 0.08m ²		
RX-BKT28-A-12V	304x304mm 120LED	240Lm	24W 12V	10pcs 1m ²	30.4mm Min. Cabinet Depth* 38mm 250W / m ² 25000Lm / m ²	
RX-BKT28-D-12V	60x304mm 24LED	480Lm	4.8W 12V	12pcs 0.1m ²		
RX-BKT28-C-12V	304x50mm 20LED	400Lm	4.2W 12V	12pcs 0.1m ²		
RX-BKT28-F-12V	60x50mm 4LED	80Lm	1.2W 12V	12pcs 0.04m ²		

The above table data testing at room temperature is 25 °C, test voltage DC24V

LED color temperature 6000-6500K, CRI > 85, Life 40000hours@25 °C

*Minimum distance required from Panel to face. Calculated with 2447 milky white acrylic with no graphics, Depth on faces with graphics can have thinner cabinet depths, Consult with XineLam for samples and depth demonstrations. Special sizes, Consult with XineLam Reps and Distributors

Mosaic splicing diagram:



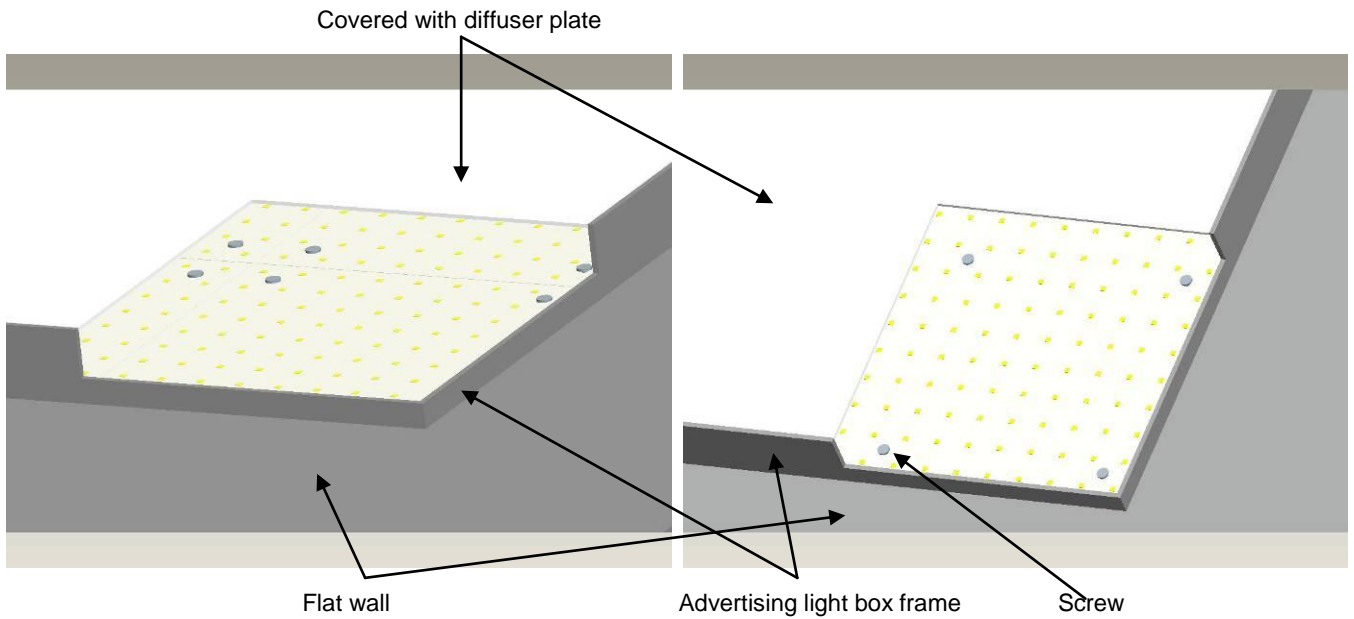
Note: Row and column totals; must be less than the number of LED module can be spliced (RX-BKT28-A: Row QTY x Column QTY ≤ 20pcs)

Recommended rows stitching

If you need a larger number of splicing series, please use the high current model RX-BKCC-A

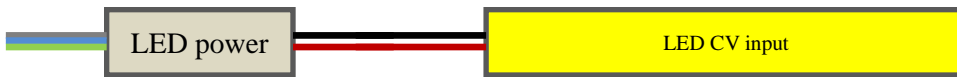
Please note that the back of the terminal insulation. Or use Sponge double-sided adhesive tape

Advertising light boxes backlight installation diagram



Note: Our only produce LED aluminum panel, the picture above for reference purposes only!

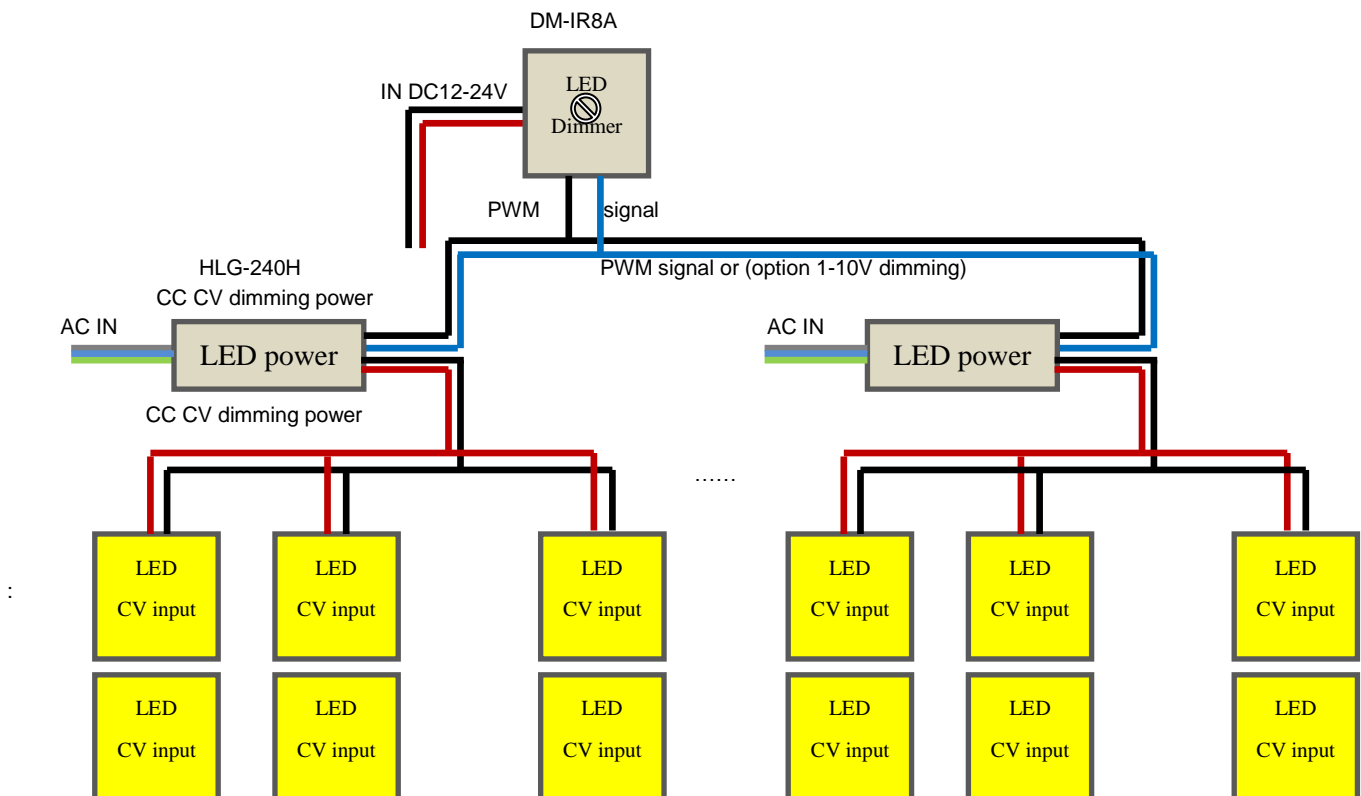
Wiring diagram



Recommended Dimming system

Dimming power + PWM signal (Option1-10V)

HLG-240H-**B + DM-IR8A



A large area of simple synchronous dimming system - No PWM flicker
 Constant voltage constant current power supply - 100% load power

CAUTION: This product is installed by a professional engineering staff.

Safety Information

1. The LED module itself and all its components may not be mechanically stressed.
2. Assembly must not damage or destroy conducting paths on the circuit board.
3. Installation of LED module (with power supplies) needs to be made with regard to all applicable electrical and safety standards. Only qualified personnel should be allowed to perform installations.
4. Correct electrical polarity needs to be observed. Wrong polarity may destroy the LED module.
5. Parallel connection is highly recommended as safe electrical operation mode.
6. Serial connection is not recommended. Unbalanced voltage drop can cause hazardous overload and damage the LED module.
7. Please ensure that the power supply of adapters power to operate the total load.
8. When mounting on metallic or otherwise conductive surfaces, there needs to be an electrical isolation points between strip and the mounting surface.
9. Pay attention to standard ESD precautions when installing the LED module.
10. Damaged by corrosion will not be honored as a materials defect claim. It is the user's responsibility to provide suitable protection against corrosive agents such as moisture and condensation and other harmful elements.
11. Non Waterproof LED module
12. LED module can not be used as support, you need fixed in the frame, fixed to the wall, otherwise, may cause deformation.