

Description:

RX-DM25-3H Adjustable spectrum 3 channel I-10V dimmer, easy to install, provides 10V 40mA drive current, suitable for most DC 0/1-10V power dimming, including Ming Wei three-in-one dimming power supply, No extra power required. You can use the RJ11 / 12 telephone wire, Dimming in parallel.



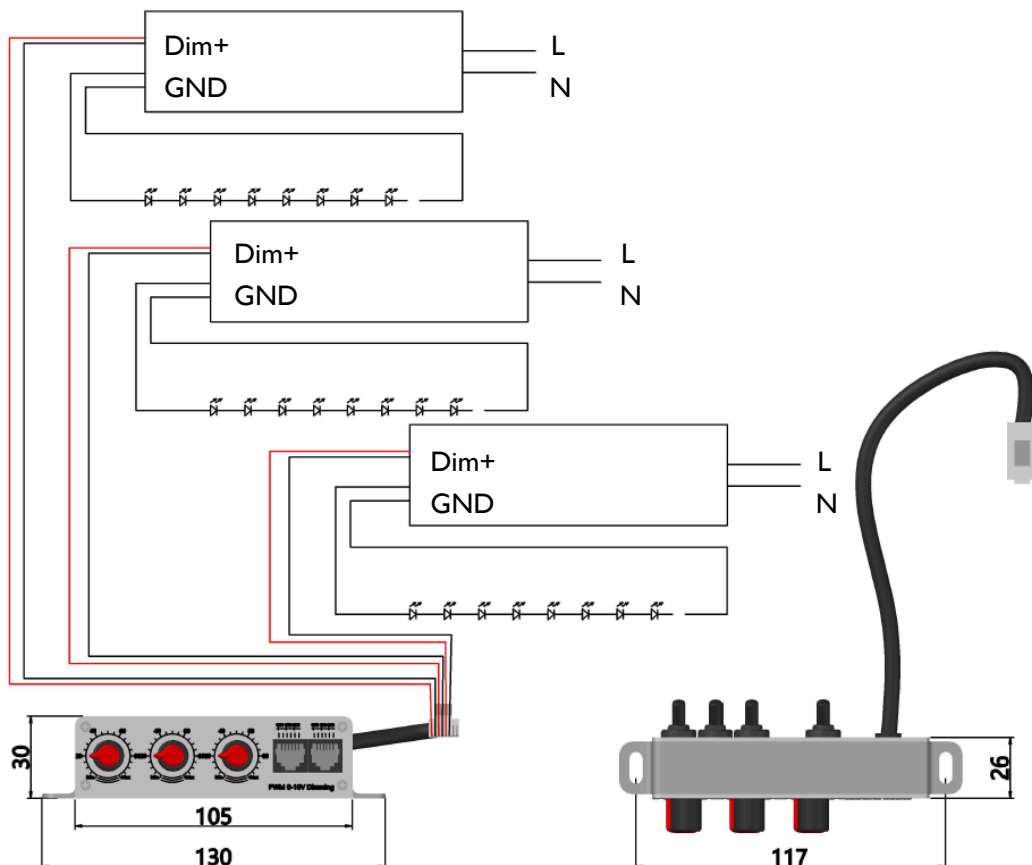
1. 3-channel tunable spectrum plant grow light controller
2. Input voltage: DC1-10V
3. Output current: 40mA
4. compatible all 0/1-10V interface dimmable electronic LED driver and power dimmers
5. Working humidity: 20%-90% RH
6. Dimension: 130*26*30mm
7. life span 50000hours
8. CE RoHS FCC

Model	Dimension LxWxH	Input	output	Compatible power supply	Comment
RX-DM25 3H	130x26x30mm	10V Dimming power supply dimming input wire	0.6~10V max40mA	0/1~10Vdc LED drivers	Not waterproof

Operating temperature: -30°C ~ 40°C , Lifespan: 50,000 hours (Note: Ta 25°C)

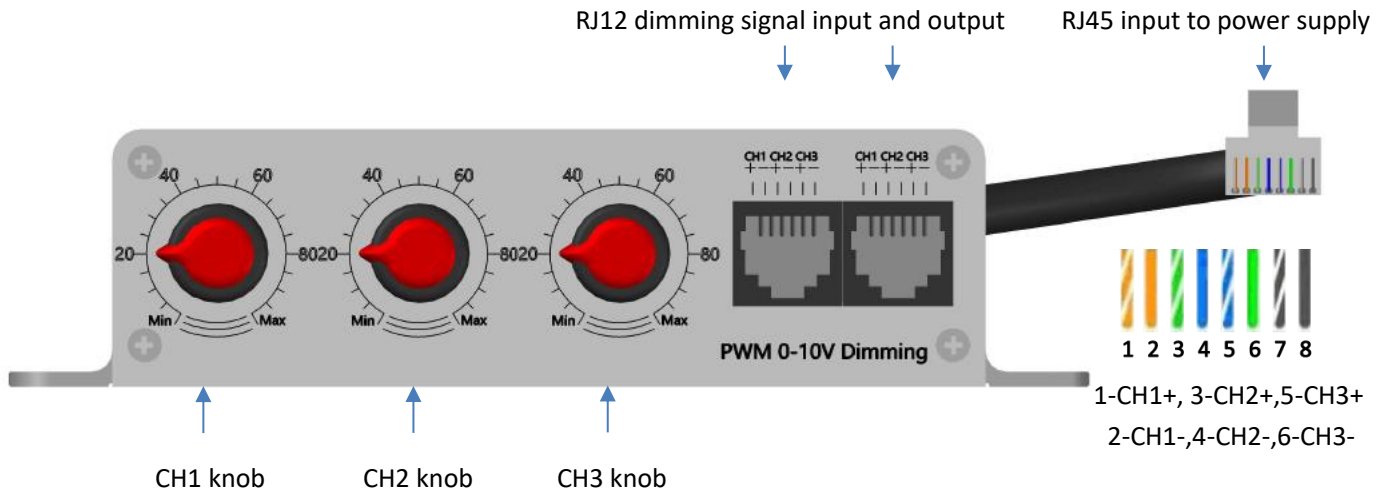
The above data is for reference only!

Dimension:

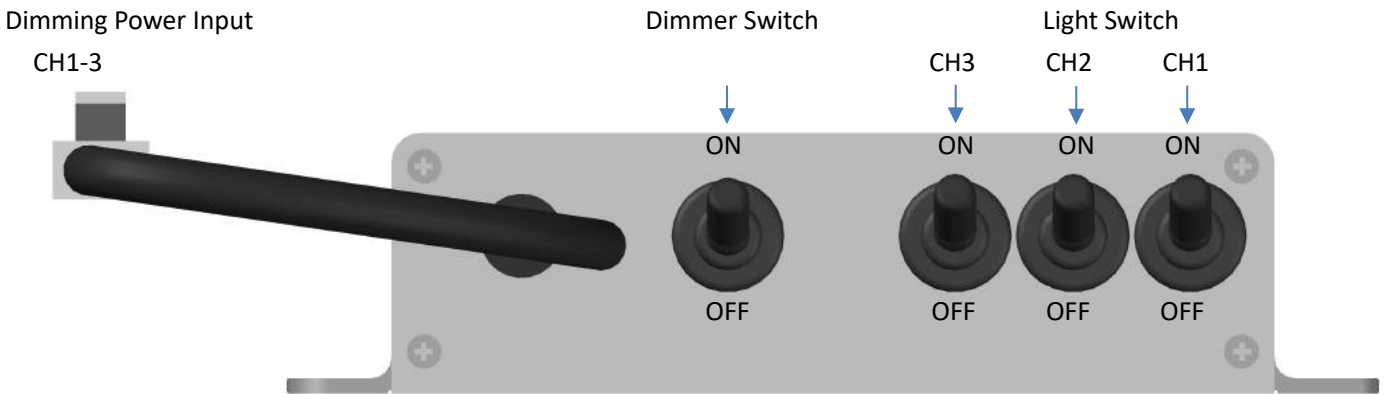


Unit: mm

● **Single Lights Dimming Operation**



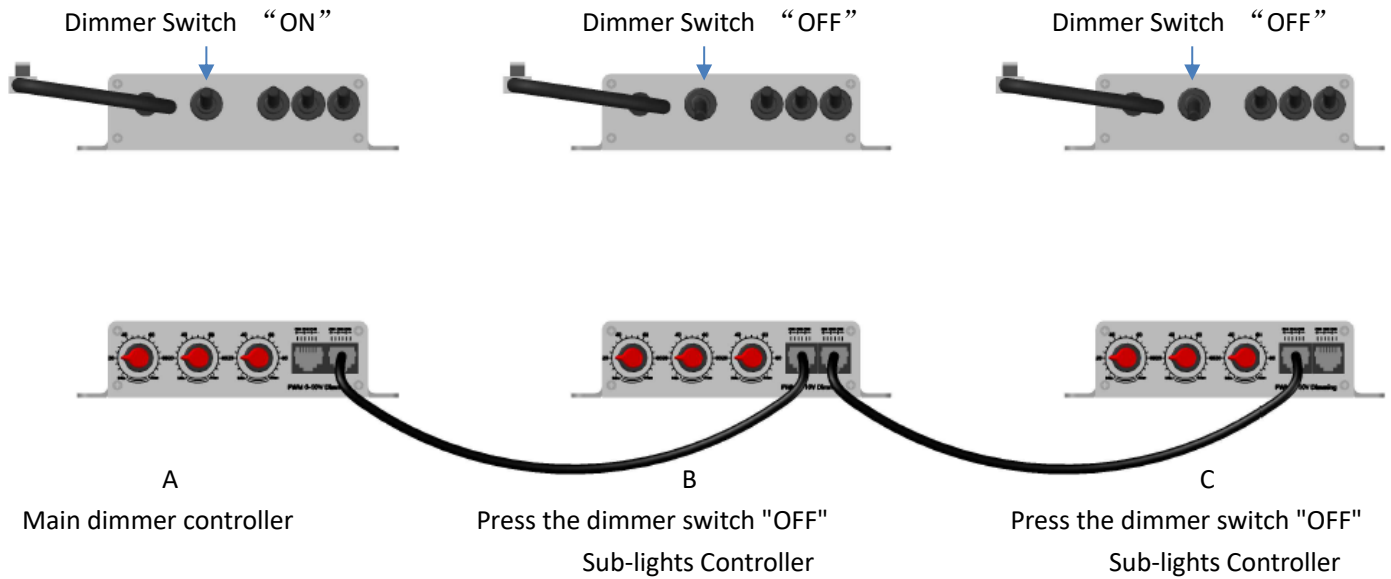
To use the dimmer knob to adjust the light, dimmer switch "ON"



"OFF" turns off the light (the dimmer switch "ON" is effective)

Note: Press the Dimmer Switch "ON" to use the dimmer knob and light switch to control

● **Multi-lights connection dimming operation**



Step1, Conect multiple lights with RJ45 cable(suport up to 12 lights)

Step2, Choose one as main-light, others as sub-lights (eg:A as main-light controller,B&C as sub-lights controller)

- (1) Turn on the light switch of A,A controls the on/off of B&C
- (2) Only turn on the dimming switch of main-light

Step3,After completing step 1 and step 2. turn dimming knob of A controls the brightnes of B&C.The larger the scale value,the intenser the brightness

Note:

The installation must be carried out by electrical specialist in accordance with international and national standards.

The max. load connected to the drive is 10V/40mA

Place the driver away from direct heat sources and in well-ventilated spaces. If the driver is built-in, sufficient ventilation must be ensured.

When connecting the electronic LED driver & ballasts and power dimmer, careful attention should be paid to connecting red "+" and black "-"