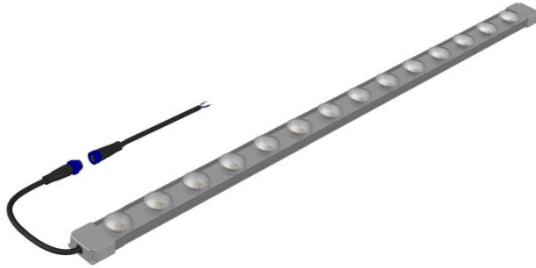


Description:

G45-AC 交流输入植物工厂家庭园艺 LED 植物灯条，专利产品中国专利号 201620887642，独特的透镜结构-高效聚光，光谱辐射均匀，定向照射，光照利用率更高，相比旧款 T8 灯管，节能 50%；使用更少的灯建设你的植物农场，植物灯实体灌封防水，更可靠。适用于高密度层架结构的植物工厂。

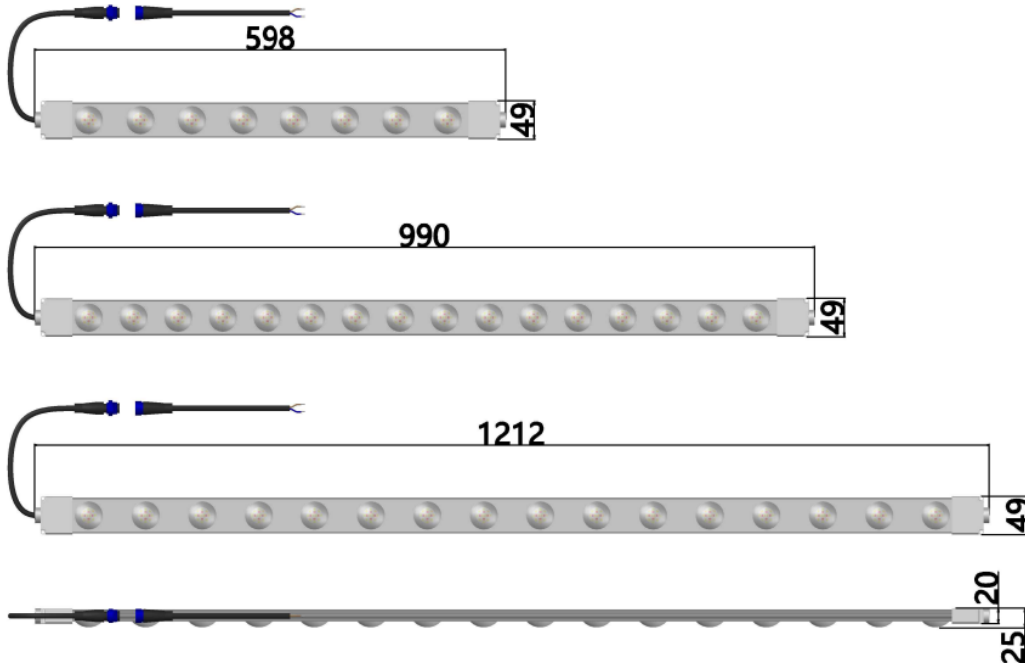


1. 室内家庭园艺，多层水培蔬菜植物灯，AC120 单条覆盖面积 0.2x1.2m
2. 独特的透镜结构，光谱辐射均匀,定向聚光照射，光利用率更高，节能 50%，相比上一代 T8 灯管
3. 防水等级 IP65，最大串联连接 5pcs/AC120V，10pcs/AC230V
4. F175 优选的全周期通用植物光谱，并能根据要求定制光谱
5. 无频闪，保护眼睛，易于拍摄
6. 3750V 高压测试，安全可靠。
7. 输入电压：AC100~240V，PF >0.9
8. CE RoHS FCC

Model	Dimension LxWxH	Spectral Wavelength	Photon PPFD μmol/m ² /s	PAR Output PPF	Power Input	Comment
G45-AC120	1212x49x25mm 47.7"*1.9"*1"	F175 	350μmol @0.2m	90umol/S	36W AC230V PF >0.9	可选光谱: K6A
			230μmol @0.3m			
G45-AC99	990x49x25mm 39"*1.9"*1"	F175 	420μmol @0.2m	90umol/S	36W AC230V PF >0.9	可选光谱: K6B
			270μmol @0.3m			
G45-AC60	598x49x25mm 23.5"*1.9"*1"	F175 	300μmol @0.2m	45umol/S	36W AC230V PF >0.9	可选光谱: V7A
			200μmol @0.3m			

工作温度: -20 °C ~ 40°C，使用寿命: 50,000 hrs (Note: Ta < 25 °C)
光电误差范围: ±10 %.

Dimension:



Unit: mm

室内家庭园艺栽培，多肉，捕虫草，草莓，立体种植，多层水培蔬菜植物灯

G45 Succulents & Cordyceps & Vegetable LED Grow Lights



Show Different Charming Style



Spectrum



No Flicker



Safety 3750V Test
AC input

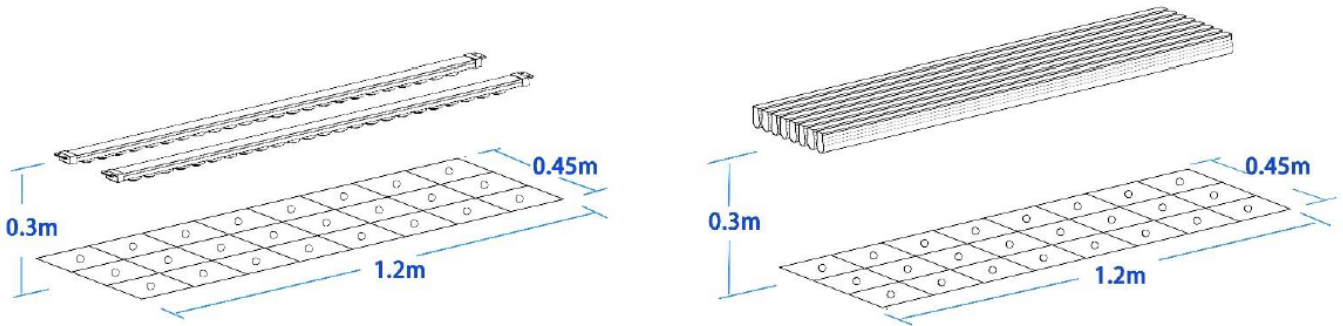


Energy saving 50%
Compared with old T8(0.3m Test)
Lens + reflector cup Improve PPFD

Patent No: 201620887642



独特的透镜结构，反光杯加聚光透镜，提高 PPFD，节能 50%，相比科瑞上一代 T8 灯管



2 条 G45-120 V3 实测功率 40W PPFD 为红色数字 单位 umol/m2/s				8 条 T8 功率 16x8=128W 实测 137W PPFD 为蓝色数字 单位 umol/m2/s			
69	93	105	111	111	107	96	71
77	103	111	113	114	112	106	78
81	118	132	137	138	134	120	88
98	139	147	150	150	148	138	100
71	101	114	115	120	116	105	78
72	108	111	111	110	107	99	74

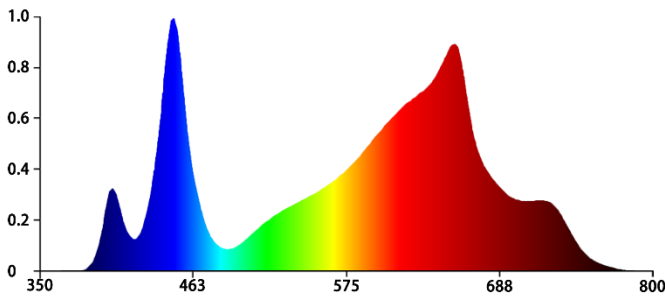
悬挂高度 0.3m，覆盖面积 0.45x1.2m。

上图 24 点平均值 G45 植物灯为 100umol/m2/s，T8 灯管为 100umol/m2/s

PPFD 平均值 G45 植物灯高出 T8 灯管%

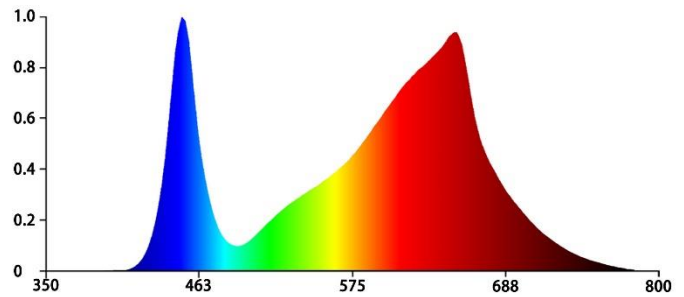
功率 2 条 G45 为 40W，8 条 T8 为 137W，节能 $(137-40)/137$ ，本例中，相对来说节能 70%

可以定制你需要的光谱：



K6B

高光照观赏植物栽培，添加 UVA 和 FR

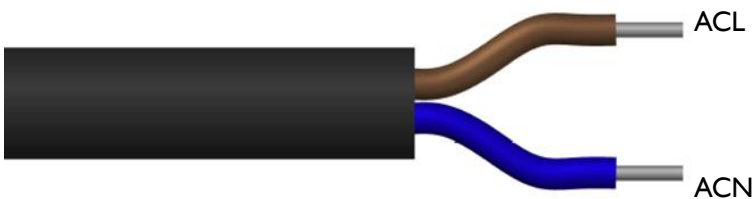


K6A

多肉植物捕虫草

Installation Instructions

1. When open the package, please check whether the inside is including product, accessory, label, certificate quality. And please assure that the light is perfect without any damage.
2. The wires of LED Light is three-core, the standard size of the wire is 2*0.75mm² or 2*1.5mm² and the outer diameter is Φ 7~12mm, brown wire is live line, blue wire is null line, yellow & green is ground line.
3. LED Light will work when the voltage up to rated voltage, so please be sure the voltage within the requested range, or it will damage the light which can't be repaired.
4. when the electrical continuity is connected, the lead wire should be in electric insulating The way of connect wire:



Attention

1. In order to make sure the light can work safety and stability, the ground line should be connected the earth.
2. When connecting the wires please turn off the power, and check whether the wires are connected correctly. Never connect the wires in opposite way, or the power should not be turned on.
3. Please keeping the trip bolt being fastening and reliable, in case of the light fall down of looseness.
4. When finishing connect the wires, please use the insulation gummed tape to convolve the wires, confirm the insulation and solve the waterproof problem.