


Description: RX-DM-C01-2 multi function LED controller is a universal RGB controller with high-performance, adopted the most advanced PWM control technology. It's dedicated to control entire RGB color changes of LED lights with 4 wires (common anode), such as RGB LED module, LED strip, LED tape, LED wall washer, floodlight, LED under water lamp and other LED lights.

	<p>Features:</p> <ol style="list-style-type: none"> 1. Waterproof: IP67 2. Small Size, Easy to install 3. Radio remote controllable (option) 4. Long lifespan: ≥ 30000hrs. <p>Electronical Specifications:</p> <p>Input Voltage: DC12V~DC24V</p> <p>Output current : Max 2 A/ Channel X 3Channel (common anode)</p> <p>Output power: 0~72W(12V) 0~144W(24V)</p> <p>Mechanical Specifications:</p> <p>Dimensions : L 79mm W 40mm H22mm</p> <p>Weight: 70g</p> <p>Wire Length: input 180mm, output 180mm</p> <p>Operating Temperature: $-20^{\circ}\text{C} \sim 50^{\circ}\text{C}$</p>
--	--

Key features



Remote A : ON/OFF Start or turn off the controller

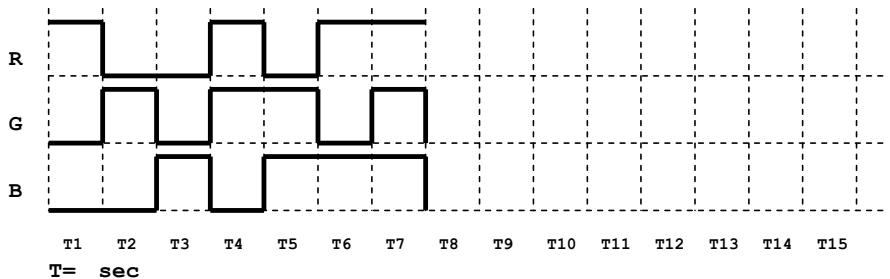


Remote B : Press it to enter into next model

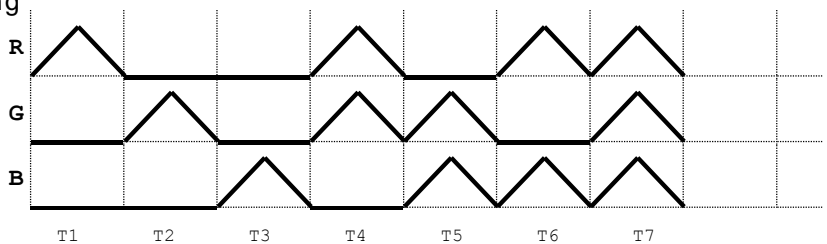
1. Static red 2. Static green 3. Static blue 4. Static cyan 5. Static yellow 6. Static purple 7. Static white



Remote C : 1. 7color skipping



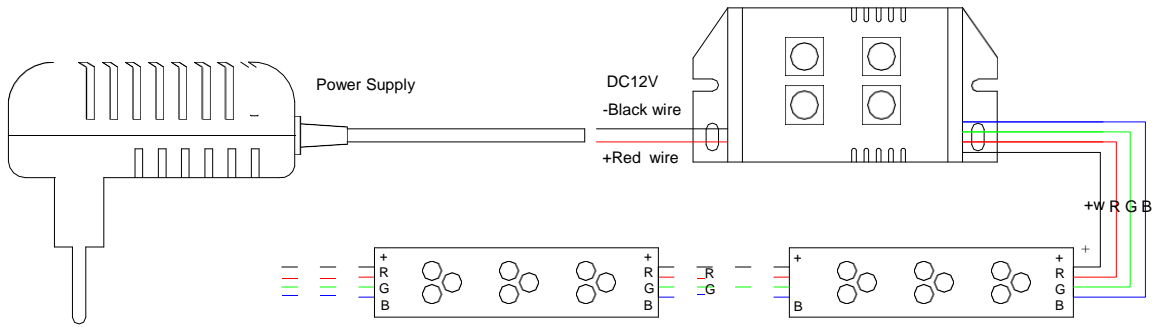
2. 7color Gradual changing



Remote D : Flashing Speed Adjustment $T = \text{sec}$

1. $T=1.6\text{sec}$ 2. $T=1.2\text{sec}$ 3. $T=0.8\text{sec}$ 4. $T=0.4\text{sec}$

Conjunction sketch map (connected to LED module as an example)



Conjunction diagram, working with power amplifier (connected to LED module as an example)

