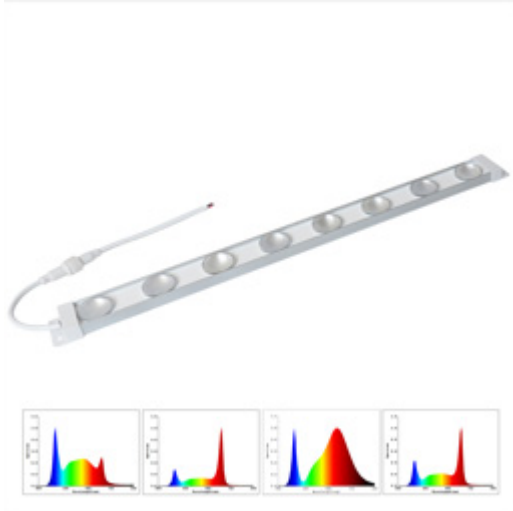


Description:

RX-GW45-615A Vertical farm Hydroponics Grow Lights New patent design product with unique lens, Different LED chips in one lens, Concentrating Light efficiently and More uniform spectral radiation, directional light ,higher light utilization efficiency, more efficient comparing with common grow lights. Silicone potting waterproof, more reliable. Suitable for nursery, Vegetable production, especially for the multi-layer cultivation systems of City farming plant factories.



1. Urban agriculture vertical farm Hydroponics Grow Lights Bar
2. High PPF, One Bar equivalent to 3 T8 Tube, Build your plant farm with fewer lights!
3. Different spectral LED in one lens, spectral radiation uniformity
4. Lens + reflector, directional illumination, higher light utilization efficiency, energy saving more than 50%
5. The preferred plant light spectrum, can customize the spectrum
6. Waterproof IP65
7. Patent number: 201620887642
8. Lifespan: 50000hours
9. CE RoHS FCC

Model	Dimension LxWxH	Spectral Wavelength	Photon PPF $\mu\text{mol}/\text{m}^2/\text{s}$	Luminous flux Radiation Power	Power Input DC24V	Comment
RX-GW45-615	615x48x21mm	A6K3R4	188 μmol @0.2m 9175Lx	Flux 1129Lm Fe 4.9W	13W	Ra 80 4000K Universal type grow light suitable for most plants
			119 μmol @0.3m 5710Lx			
			63 μmol @0.5m 3060Lx			
RX-GW45-615	615x48x21mm	A6K6R1	176 μmol @0.2m 11332Lx	Flux 1466Lm Fe 5.1W	13W	Ra90 5800K nursery ornamental plants succulents
			109 μmol @0.3m 7043Lx			
			57 μmol @0.5m 3673Lx			

Surface temperature rise Tc 18 K, Operating temperature: -30 ° C ~ 40 ° C, Lifespan: 50,000 hrs (Note: Ta ≤ 25 ° C)

Tolerance range for optical and electrical data: ± 10%.

Beam angle: 60° Recommended irradiation distance: 0.2~0.5m

Optional spectrum:

A6K2R5 (A6K1R6): Fast growth leafy vegetables;

A6K3R4: Universal spectrum, suitable for most plant growth;

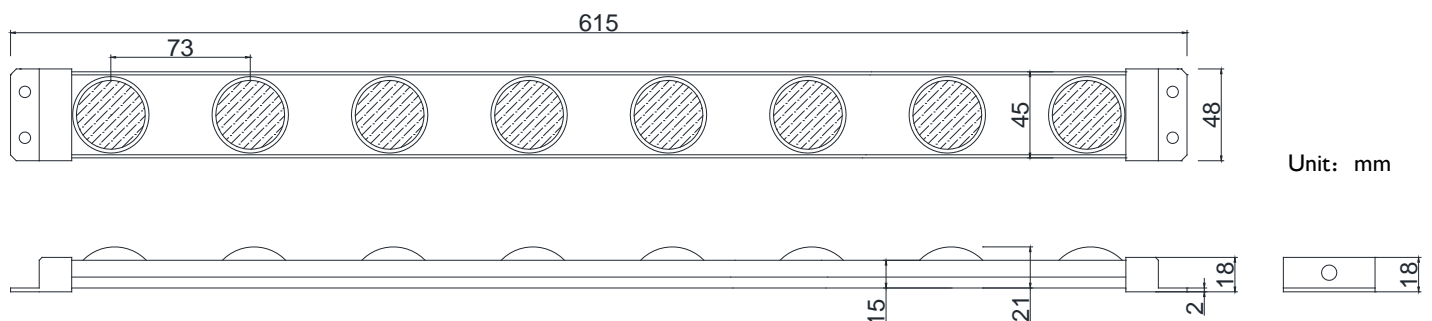
A6K6R1: High CRI Tissue culture cultivating seedlings ornamental and succulent plants;

A4K2R4B1: Universal Type, red and blue 4: 1, tomato flowers leafy vegetables;

A6K5R1B1 Root crops, Root Vegetables

For other spectra please contact Koray

Dimension:



Unit: mm